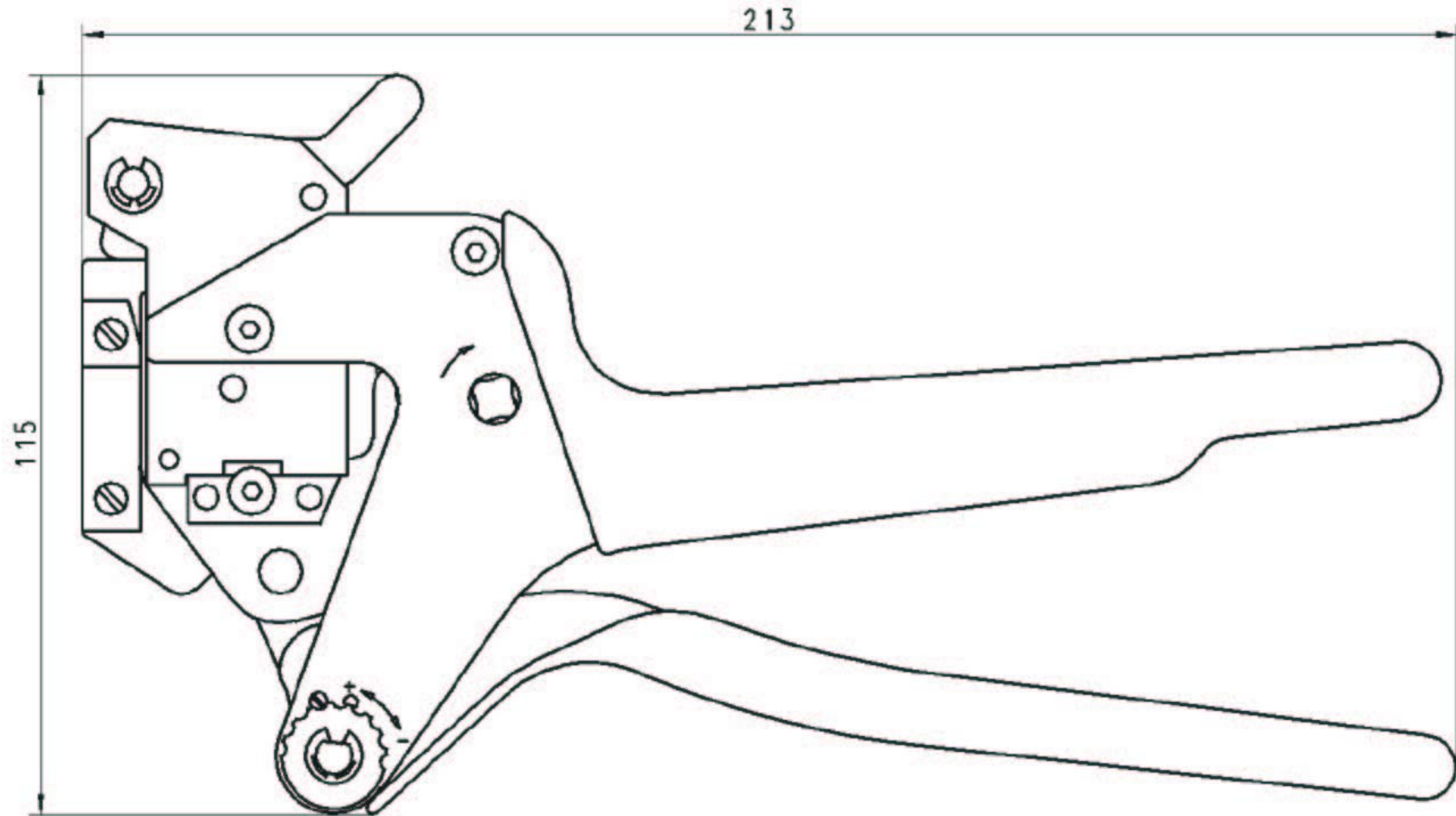



THE INFORMATION CONTAINED IN THIS DRAWING IS THE SOLE PROPERTY OF YAMAICHI ELECTRONICS DEUTSCHLAND GmbH. ANY REPRODUCTION IN PART OR WHOLE WITHOUT THE WRITTEN PERMISSION OF YAMAICHI ELECTRONICS DEUTSCHLAND GmbH IS PROHIBITED.



Order / Article No. 82-00155

UNLESS OTHERWISE SPECIFIED: DIMENSIONS ARE IN MILLIMETERS		REV.	REVISION DESCRIPTION	INITIALS	REV. DATE					
		5								
		4								
		3								
		2								
		1								
DO NOT SCALE DRAWING			Y-CONTOOL-11 1-step crimp tool							
DESIGN	JH	11.12.2003	TITLE: Customer-drawing							
DRAWN	JH	11.12.2003	DWG NO.: Customer-P(090)A125							
CHECKED	HE	15.12.2003	REV. ORIGIN:	0	REV. -					
ANGLE PROJECTION:	First	Q.A.	WM	15.12.2003	APPROVED:	HK	15.12.2003	SCALE: 2:1	SHEET1 OF 1	A3 - ASSEMBLY